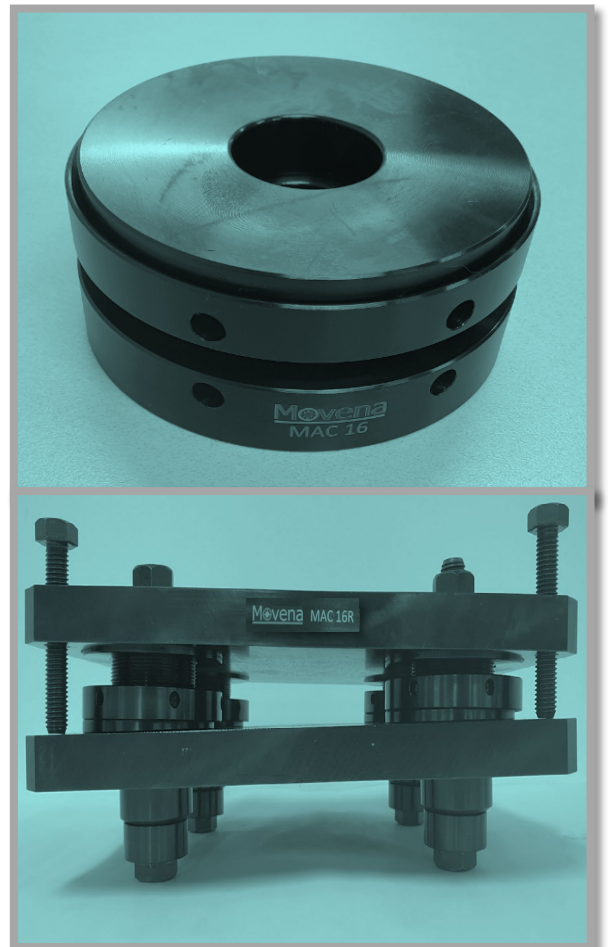


Hi-MAC[®] Mechanical Adjustable Chock

Mechanical Adjustable Chock

Hi-MAC[®]

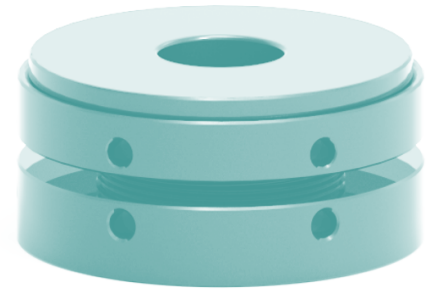
- High -
- Reliability
- Productivity
- Safety
- Quality
- Eco Friendly
- Human Friendly
- Time Saving
- Cost Saving



Hi-MAC[®] is a reliable, permanent and reusable solution for all kinds of machinery foundation and it replaces the need of steel chock shims or cast resin. **Hi-MAC[®]** is a metal chock to make mounting accurate, convenient and easy and to eliminate mill and shim adjustment or mixing & curing time during installation.

Hi-MAC[®] is an adjustable steel mounting chock that can fit between a machine foot and its baseplate, soleplate or skid.

Hi-MAC[®] is strong and a re-usable machinery mounting chock for all types of rotating or critically aligned machinery.



What are the advantages of **Hi-MAC[®]**?

- Helps to align and to re-align the machinery quickly and accurately
- Eliminates the extra work when installing epoxy resin chocks
- Eliminates time consuming machining of steel chocks
- Guarantees fast and simple elimination of soft foot under the machinery
- Environmentally friendly. No Chemical & Re-usable
- Self-aligned & height adjustable
- Reliable and Safe

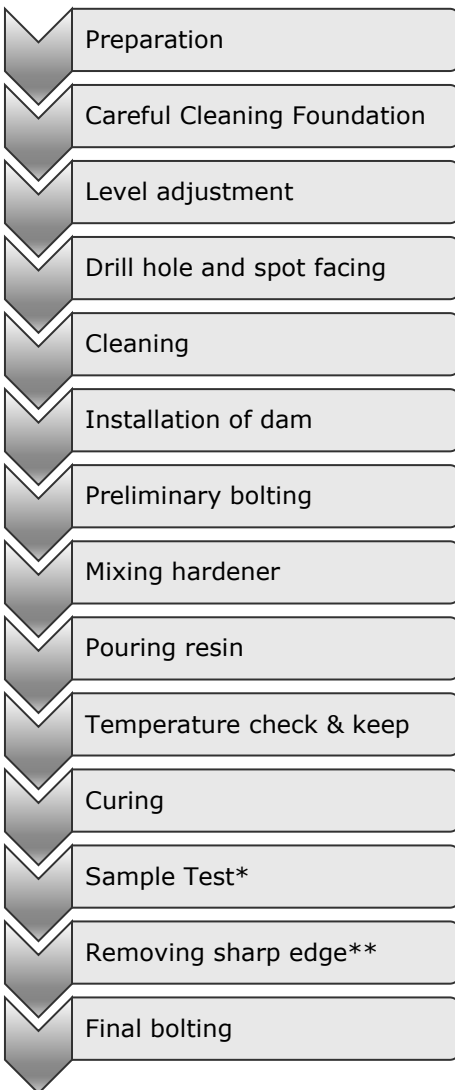
Where using at?

- Rotating machineries
- Compressors
- Electric motors
- Fans
- Pumps
- Engines
- Generators
- Gears
- Railways
- Gears
- Wind energy

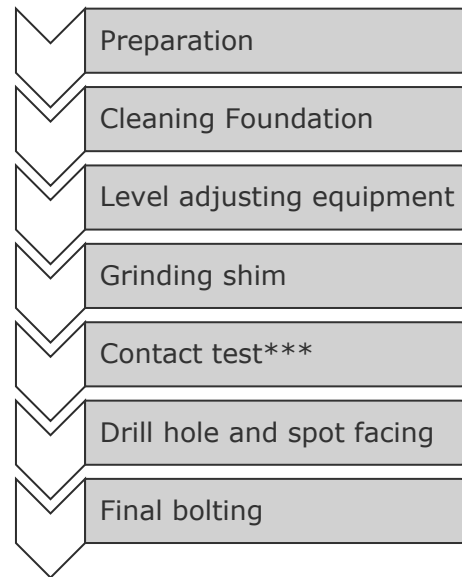
Why Hi-MAC® ?

Comparison Work Processing

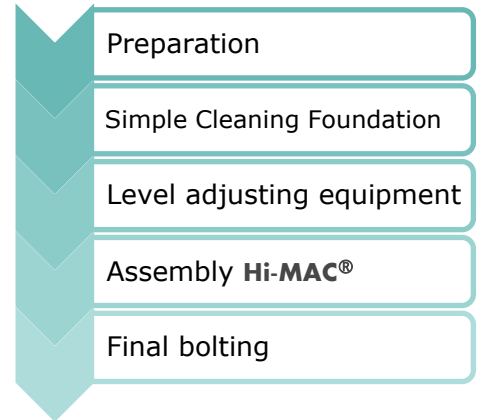
Resin



Steel Liner



Hi-MAC®

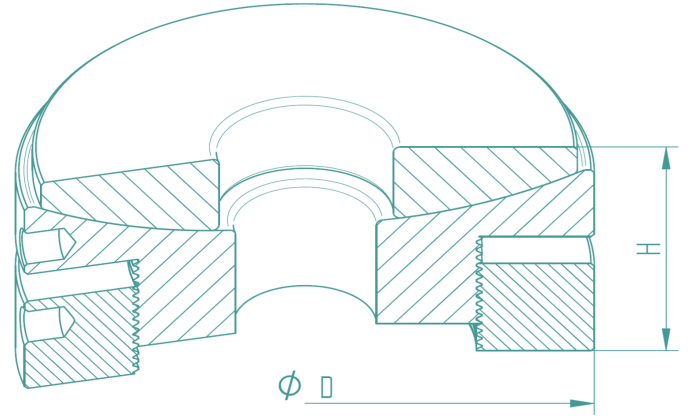
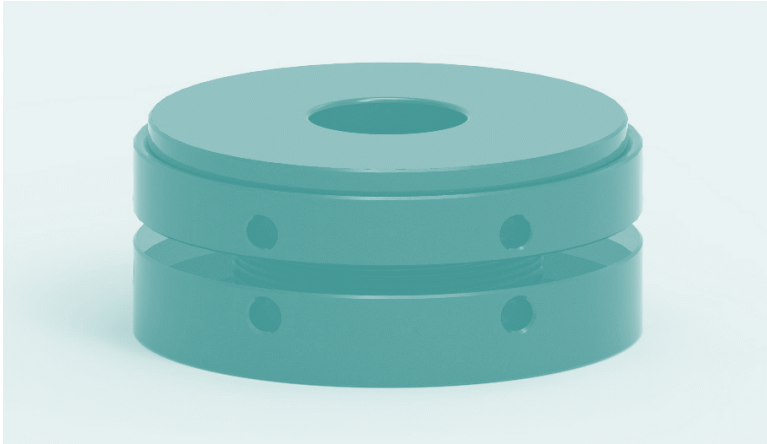


* If failure, repeat working again.

** Reworking if defects are found.

*** If not acceptable, repeat grinding and contact test

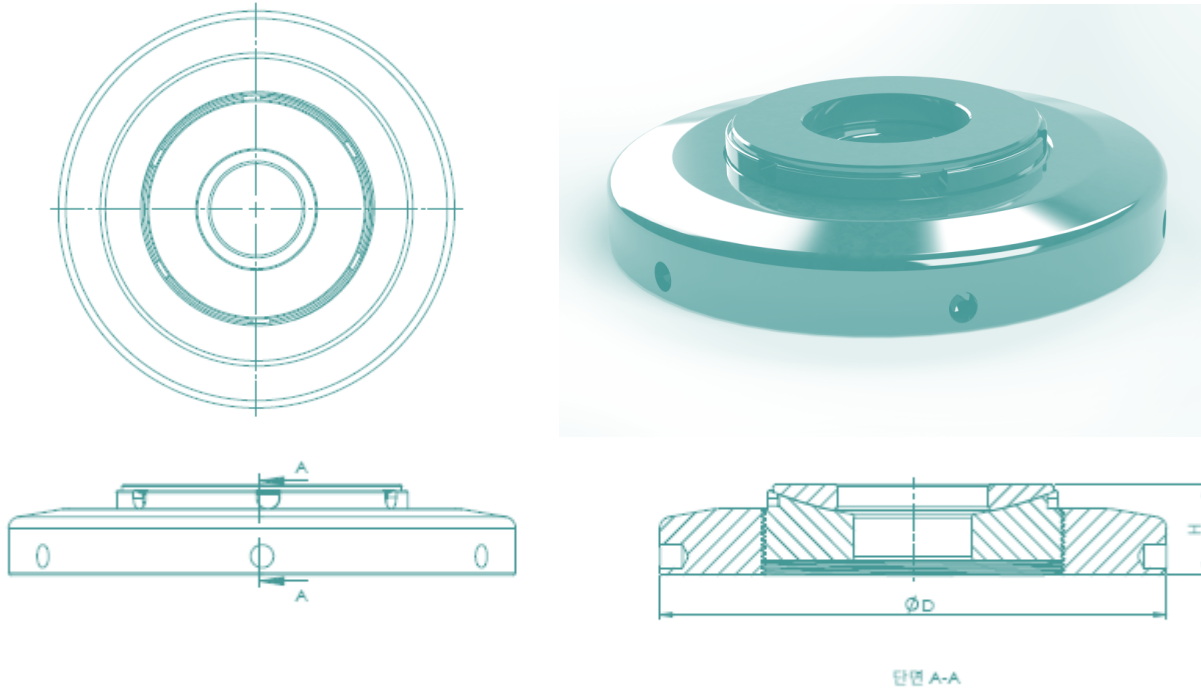
Hi-MAC[®] for General Mounting



Type	Diameter	Bolt Hole	Max. Equipment Weight	Max. Load/Unit	Min. Height	Max. Height	Recommended	Alternative	Alternative
	D	d	W_E	W_{max}	H		Foundation Bolt		
	mm	mm	kN	kN	mm	mm	Metric	Metric	Metric
Hi-MAC 12	64	17	8	48	30	38	M12	M14	M16
Hi-MAC 16	84	21	15	90	35	45	M16	M18	M20
Hi-MAC 20	104	25	25	145	40	50	M20	M22	M24
Hi-MAC 24	124	31	35	210	46	59	M24	M27	M30
Hi-MAC 30	144	37	60	335	53	66	M30	M33	M36
Hi-MAC 36	164	44	85	490	57	71	M36	M39	M42
Hi-MAC 42	194	50	120	690	61	77	M42	M45	M48
Hi-MAC 48	234	60	165	880	67	85	M48	M52	M56
Hi-MAC 56	249	66	230	1215	76	93	M56	M60	M64
Hi-MAC 64	279	74	320	1605	82	100	M64	M68	M72

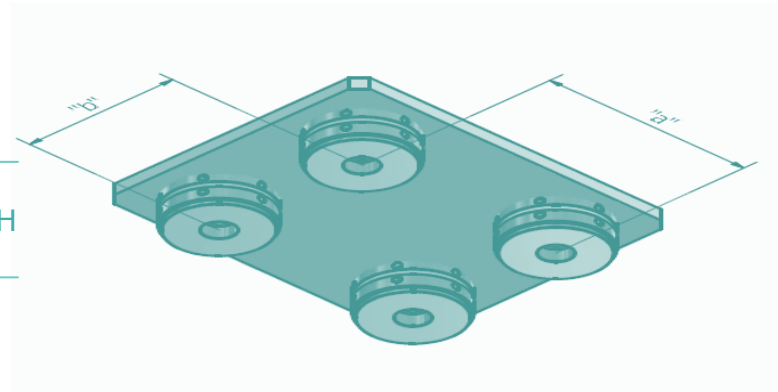
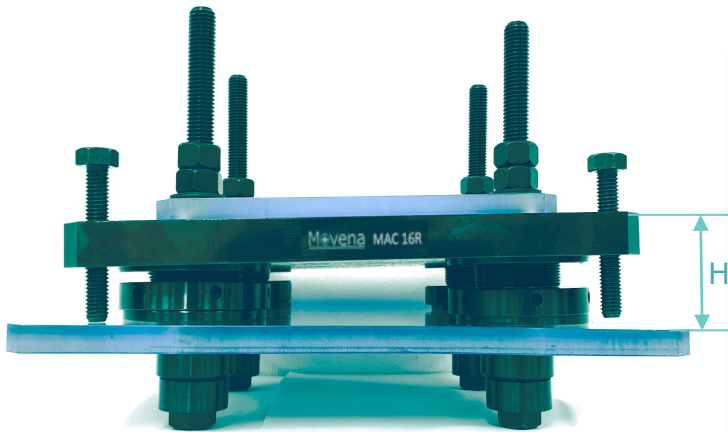
* Heavy duty model and custom size are available upon request.

Hi-MAC[®] for Narrow Space



Type	Diameter	Bolt Hole	Max. Equipment Weight	Max. Load/Unit	Min. Height	Max. Height	Recommended	Alternative	Alternative
	D	d	W_E	W_{max}	H		Foundation Bolt		
	mm	mm	kN	kN	mm	mm	Metric	Metric	Metric
Hi-MAC 16S	84	21	15	90	20	31	M16	M18	M20
Hi-MAC 20S	104	25	25	145	20	31	M20	M22	M24
Hi-MAC 24S	134	31	35	210	20	31	M24	M27	M30
Hi-MAC 30S	144	37	60	335	25	37	M30	M33	M36
Hi-MAC 36S	174	44	85	490	30	46	M36	M39	M42
Hi-MAC 42S	199	50	120	690	40	65	M42	M45	M48

* Heavy duty model and custom size are available upon request.



Type	Bolt Hole d	Bolt Hole Arrg't		Min. Height mm	Max. Height mm	Recommended Metric	Alternative Metric	Alternative Metric
		a	b					
Hi-MAC 16R	21	190	140	40	50	M16	M18	M20
Hi-MAC 16RS	21	190	140	25	36	M16	M18	M20
Hi-MAC 20R	25	205	150	45	55	M20	M22	M24
Hi-MAC 20RS	25	205	150	25	36	M20	M22	M24

Hi-MAC[®] | Mechanical Adjustable Chock

Movena Korea Co., Ltd.

1902, Centum IS Tower, Centum buk-daero 60,
Haeundae-gu, Busan, Rep. of Korea
Tel. +82 51 782 0969
Fax. +82 51 980 2881
E-mail. korea@movena-group.com

